

**NO
TIME
TO
DIE** *007™*

DB5



Pack 10

BUILD INSTRUCTIONS

STAGE 076: FITTING THE REAR DECK

STAGE 077: THE WINDSHIELD

**STAGE 078: MOUNTING THE WINDSHIELD
AND WIPERS**

STAGE 079: PREPARING THE ROOF LINER

**STAGE 080: FITTING THE SUNVISORS,
THE ROOF LINER LIGHTS AND
THE REARVIEW MIRROR**

**STAGE 081: FITTING THE REAR RIGHT
WINDOW AND TRIM**

**STAGE 082: FITTING THE REAR LEFT
WINDOW AND TRIM**

**STAGE 083: ATTACHING THE RIGHT INSIDE
BODY PANEL**

**STAGE 084: ATTACHING THE LEFT INSIDE
BODY PANEL**

NO TIME TO DIE © Danjaq, LLC and Metro-Goldwyn-Mayer Studios Inc. NO TIME TO DIE, *007™* and related James Bond Indicia © 1962-2024 Danjaq, LLC and Metro-Goldwyn-Mayer Studios Inc. NO TIME TO DIE, *007™* and related James Bond Trademarks are trademarks of Danjaq, LLC. All Rights Reserved.



Aston Martin, the Aston Martin Wings logo and the model name "DB5" are trademarks owned, licensed or used by Aston Martin Lagonda Limited. All Rights Reserved.

Advice from the experts

Spare screws are included with each part. Occasionally, you may be instructed to keep spare or unused screws for a later stage. Keep these spares in a safe place and label them correctly.

Please make sure you don't mix up the screws. They look quite similar, but the threads do vary slightly. Using the wrong screws may damage the parts.

When securing parts together using multiple screws, fit each screw loosely to ensure all the parts are correctly aligned before gently tightening them firmly, but not overtight, in the order in which you placed them.

The screwdriver can be magnetized by stroking it with a magnet (fridge magnet, etc.) enabling it to hold the screws and make assembly easier.

If a screw is tight going into a metal part, do not force it as you may shear the head off. Remove it and put a tiny smear of Vaseline, soap or light oil on the thread. That will lubricate it and make it easier to drive home.

During the course of this build, you will receive many pieces that you will assemble immediately – following the instructions in the corresponding stage – and other pieces that you should store safely to one side, for use in future assembly stages.

Left and Right! When building your *No Time To Die* Aston Martin DB5, the left- or right-hand side refers to that side as if you are sitting in the car.



WARNING: Some parts are assembled using magnets. These magnets can cause serious injury if they are swallowed. Keep away from children. If you suspect a magnet has been swallowed, seek medical help straight away.

Stage 076: Fitting the Rear Deck

In this stage you'll fit the rear deck to the main body.



STAGE 076 PARTS LIST

Name
76-A Rear deck
76-B Rear deck box
DS06 screws x3
PS12 screws x2



Stage 076: Fitting the Rear Deck



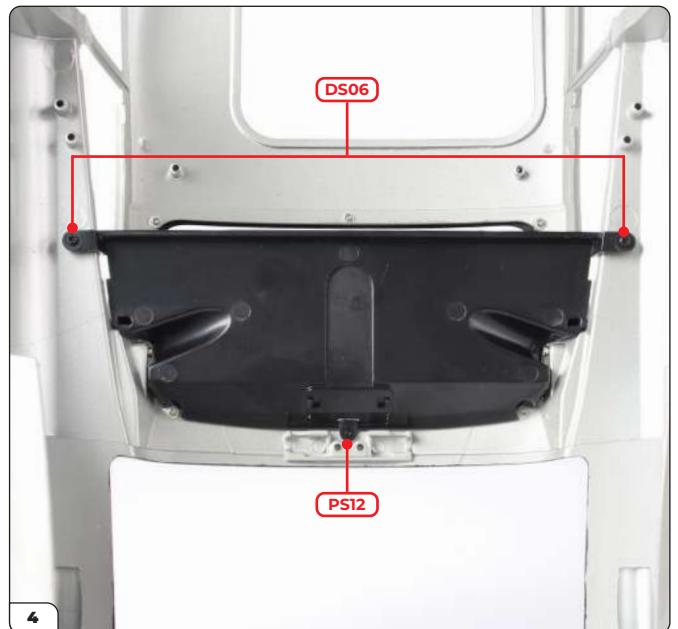
Place the rear deck (76-A) on your work surface and align the rear deck box (76-B) with it.



Press the box into the rear deck.



Carefully place the main body assembly upside down on your work surface (remember to use a soft surface to protect the paint). Align the rear deck with the screw holes located close to the rear window.



Secure the rear deck using 2x DS06 screws at the sides and 1x PS12 screw in the middle.

Stage 076: Fitting the Rear Deck

STAGE COMPLETE



Stage 077: The Windshield

In this stage you'll receive two versions of the windshield; one with bullet impacts and one without.



STAGE 077 PARTS LIST

Name
77-A (V1) Windshield
77-A (V2) Windshield (with bullet impacts)



77-A (V1)



77-A (V2)

Stage 077: The Windshield



There is no assembly in this stage, you can go straight to Stage 078.

Stage 078: Mounting the Windshield and Wipers

In this stage you'll mount the windshield and attach the wipers.



STAGE 078 PARTS LIST

Name
78-A Windshield trim
78-B Right windshield wiper
78-C Left windshield wiper
PS21 screws x6
DS29 screws x4
PS39 screws x3



Stage 078: Mounting the Windshield and Wipers



Take the windshield (from stage 77) that you want to use for your model.



Align the windshield with the main body assembly.



Place the windshield in position.



Align the windshield trim (78-A) in the same way and press the pins into the five holes along the bottom edge.

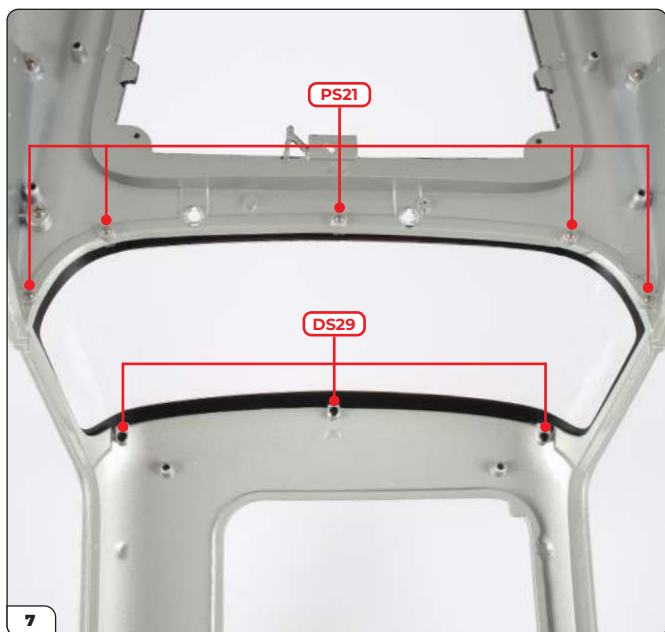
Stage 078: Mounting the Windshield and Wipers



Carefully bend the windshield trim to fit the top three tabs into the openings.



The windshield trim should look like this once in place.



Secure the windshield and trim from the other side using 5x PS21 and 3x DS29 screws as shown.

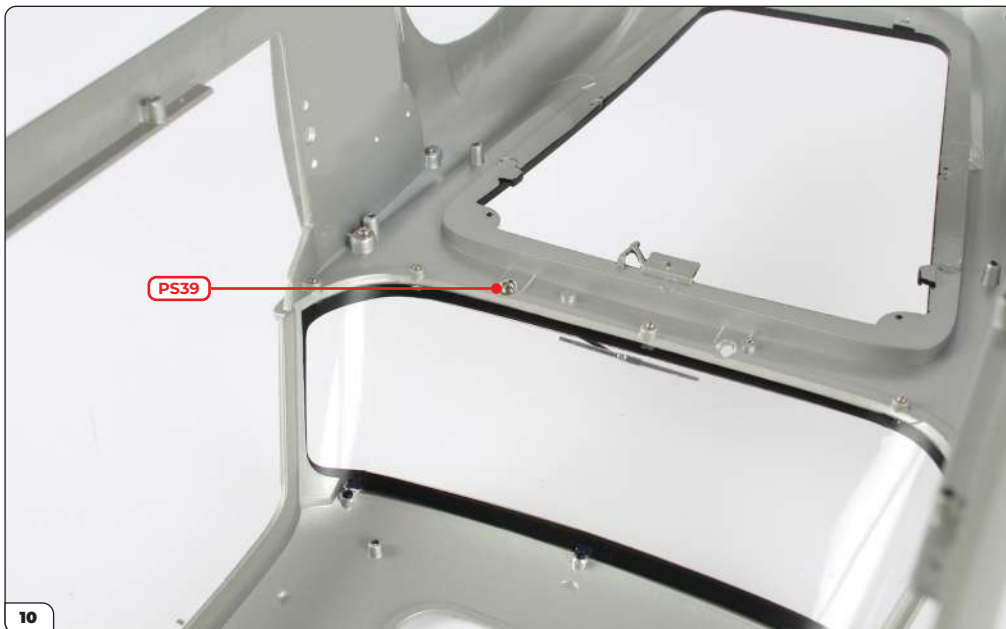


Take the right and left windshield wipers (78-B and 78-C) which are marked with 'R' and 'L'.

Stage 078: Mounting the Windshield and Wipers

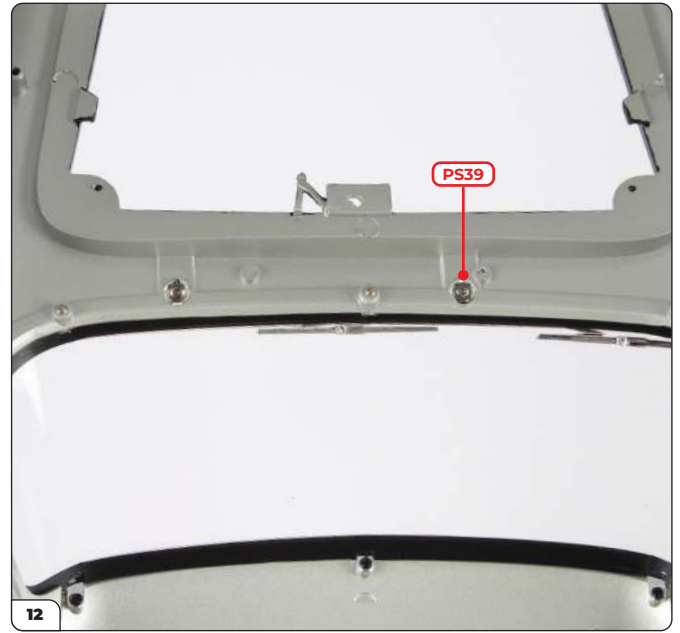


Push the right windshield wiper (marked 'R') into the shaped hole as shown.



Secure with a PS39 screw.

Stage 078: Mounting the Windshield and Wipers



Fit the left windshield wiper into the shaped hole. Secure with a PS39 screw.



Stage 079: Preparing the Roof Liner

In this stage you'll prepare the roof liner by fitting the front and rear hooks to it.

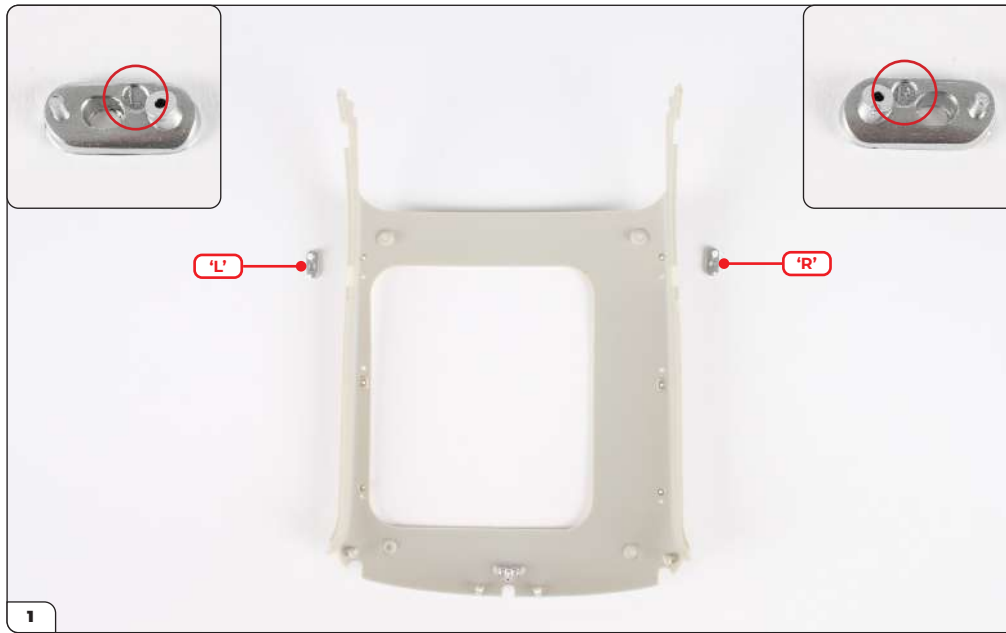


STAGE 079 PARTS LIST

Name
79-A Roof liner
79-B Left rear hook
79-C Left front hook
79-D Right rear hook
79-E Right front hook
PS03 screws x5



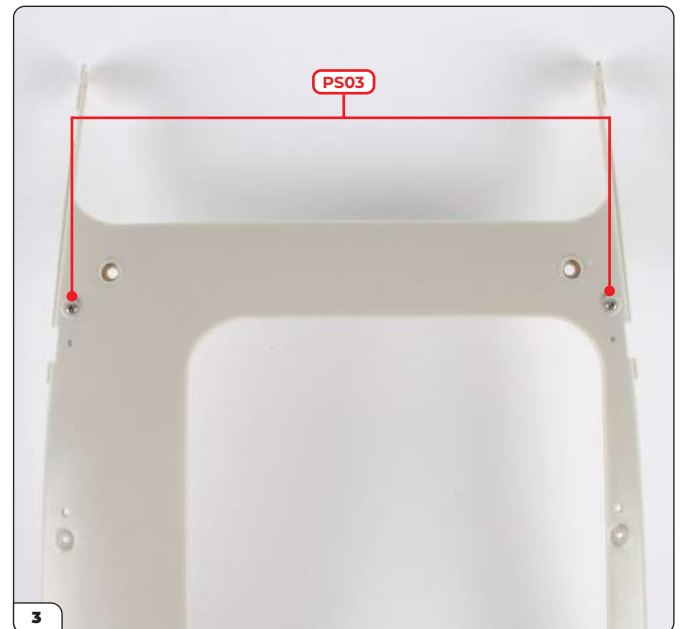
Stage 079: Preparing the Roof Liner



Place the roof liner (79-A) on your work surface in the orientation shown. Take the left (79-B) and right (79-D) rear hooks, which are marked 'L' and 'R' (insets), and position them next to the roof liner.



Press the rear hooks into the roof liner.



Secure them from the other side with 2x PS03 screws.

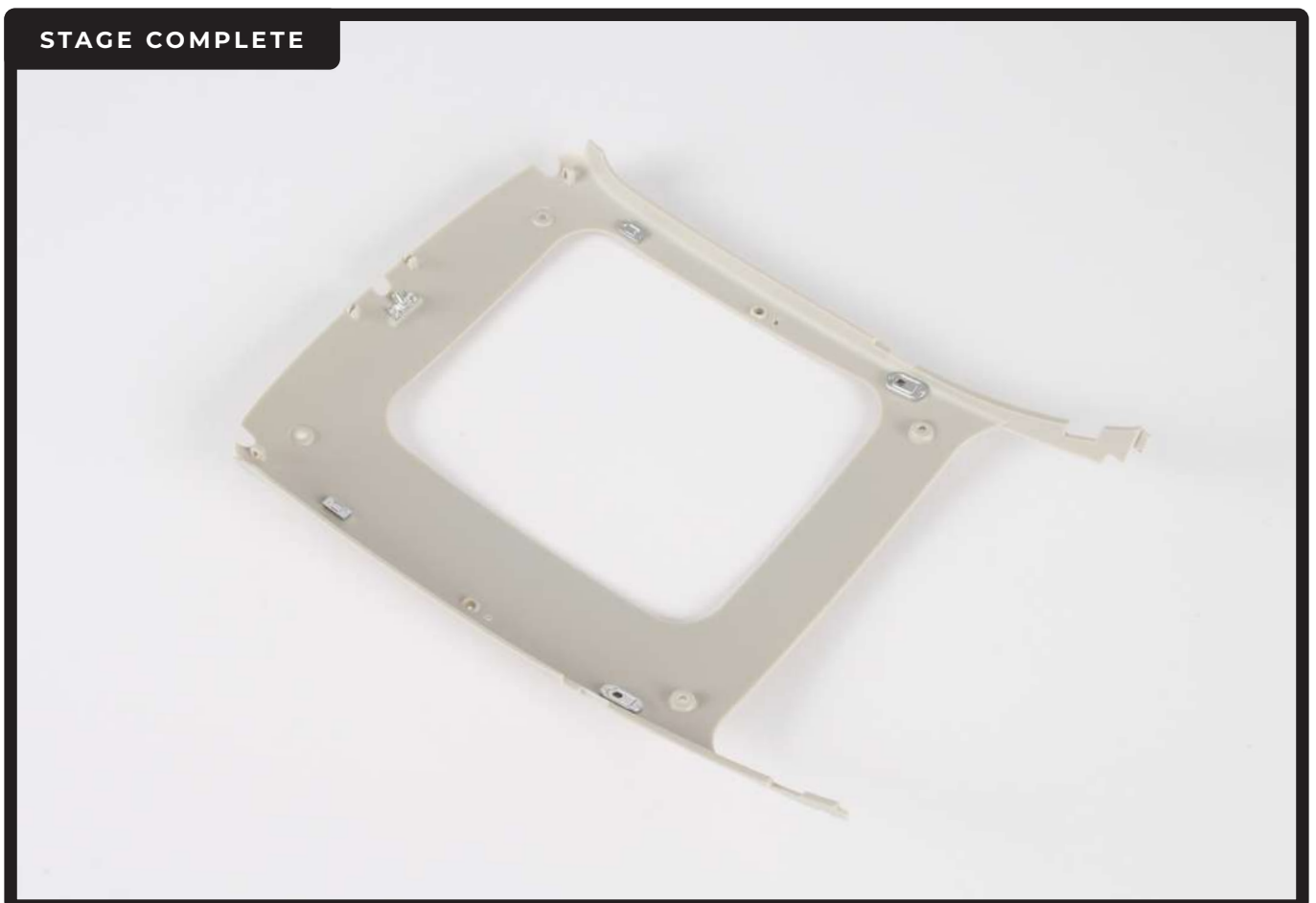
Stage 079: Preparing the Roof Liner



Press the left (79-C) and right (79-E) front hooks, also marked with 'L' and 'R', into place in the same way.



Secure with 2x PS03 screws.



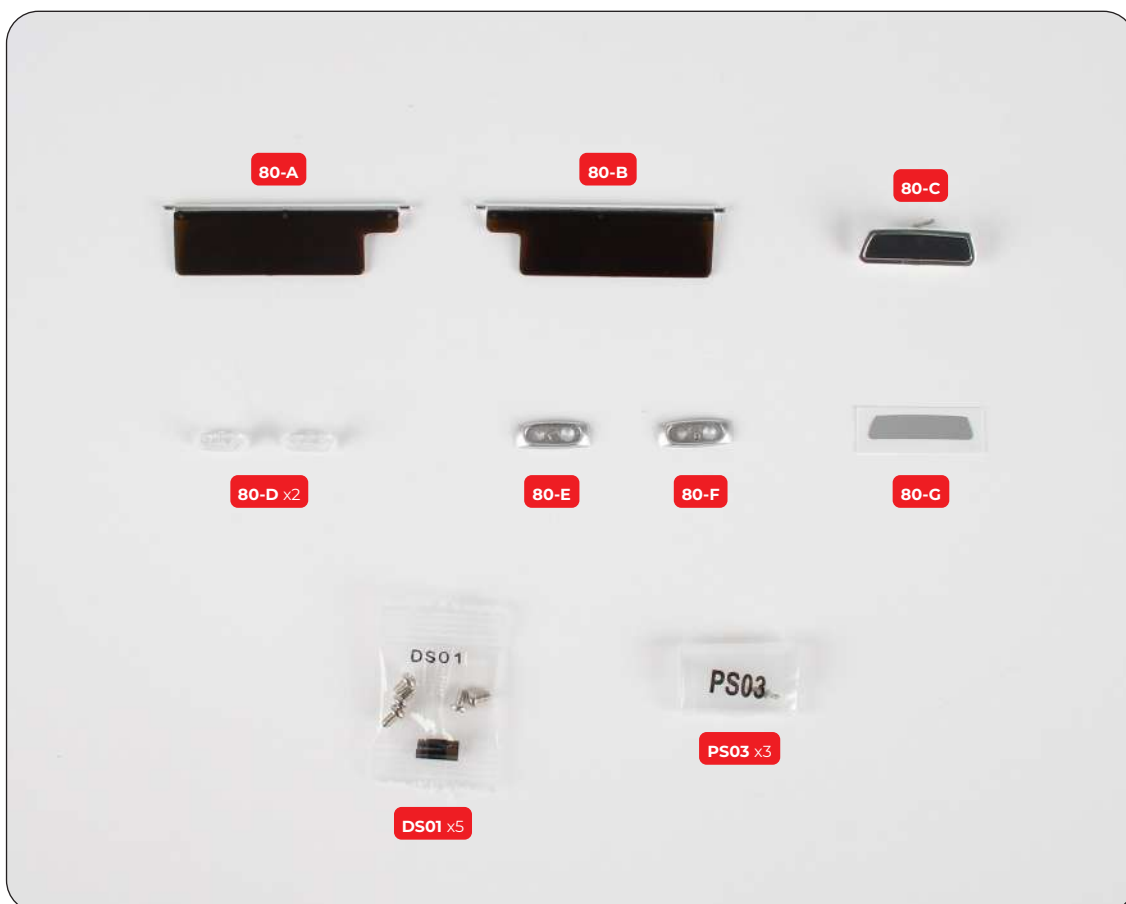
Stage 080: Fitting the Sunvisors, the Roof Liner Lights and the Rearview Mirror

In this stage you'll fit the sunvisors, lights and rearview mirror to the roof liner. You'll then fix the roof liner onto the main body.

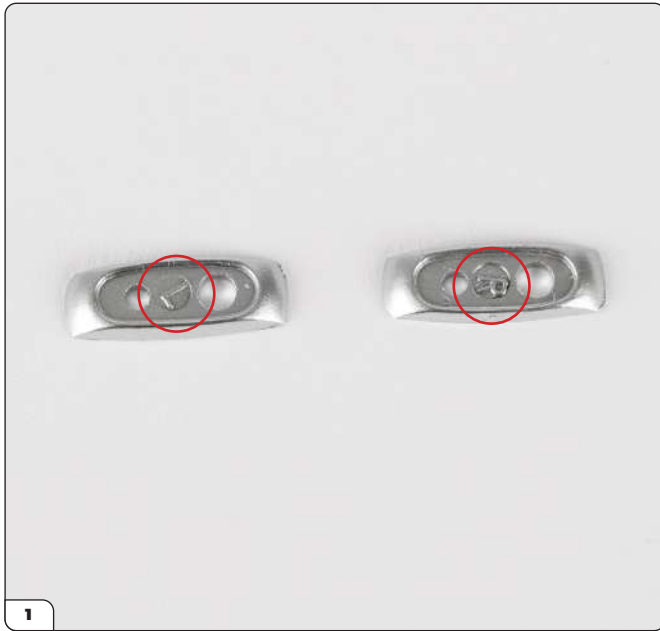


STAGE 080 PARTS LIST

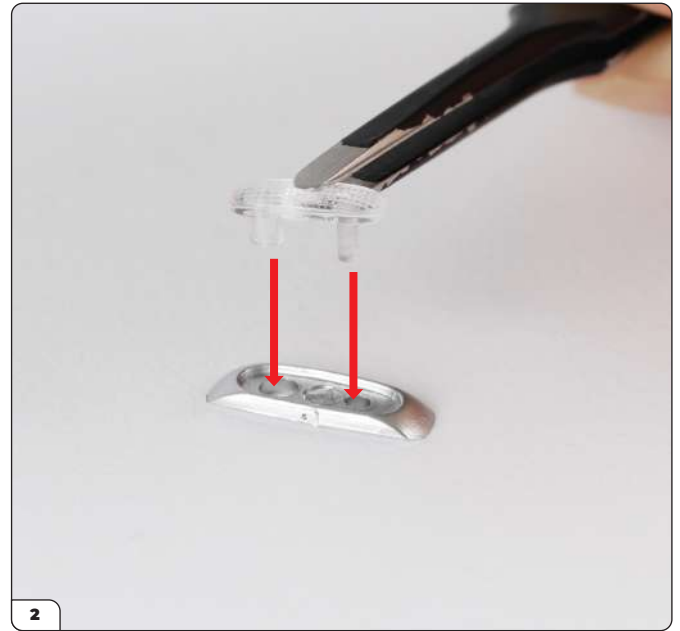
Name
80-A Left sunvisor
80-B Right sunvisor
80-C Rearview mirror
80-D Light lens x2
80-E Light reflector (L)
80-F Light reflector (R)
80-G Rearview mirror sticker
DS01 screws x5
PS03 screws x3



Stage 080: Fitting the Sunvisors, the Roof Liner Lights and the Rearview Mirror



Take the left (80-E) and right (80-F) light reflectors, marked with 'L' and 'R'.



Press one of the light lenses (80-D) into the left light reflector. The holes are different sizes to match the fittings.



Press the light into the left-hand side of the roof liner (arrows), between the front and rear hooks (circled).



Stage 080: Fitting the Sunvisors, the Roof Liner Lights and the Rearview Mirror



Secure from the other side with a PS03 screw.



Fit the remaining light lens into the right reflector, then press it into the opposite side of the roof liner in the same way.

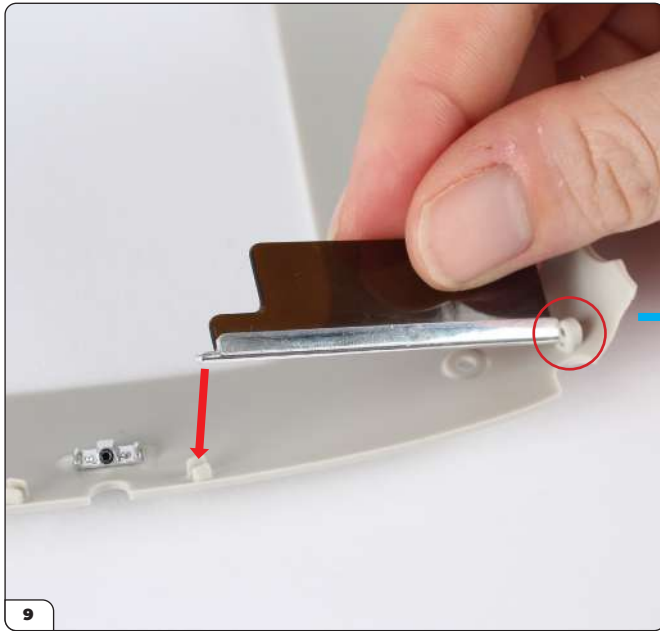


Secure with a PS03 screw.



Align the left (80-A) and right (80-B) sunvisors with the roof liner as shown. The parts are not marked so use their shape and orientation to align them correctly.

Stage 080: Fitting the Sunvisors, the Roof Liner Lights and the Rearview Mirror



Fit the right sunvisor by first placing the pin into the outer hole (circled) then pressing the other pin into the clip (arrow).

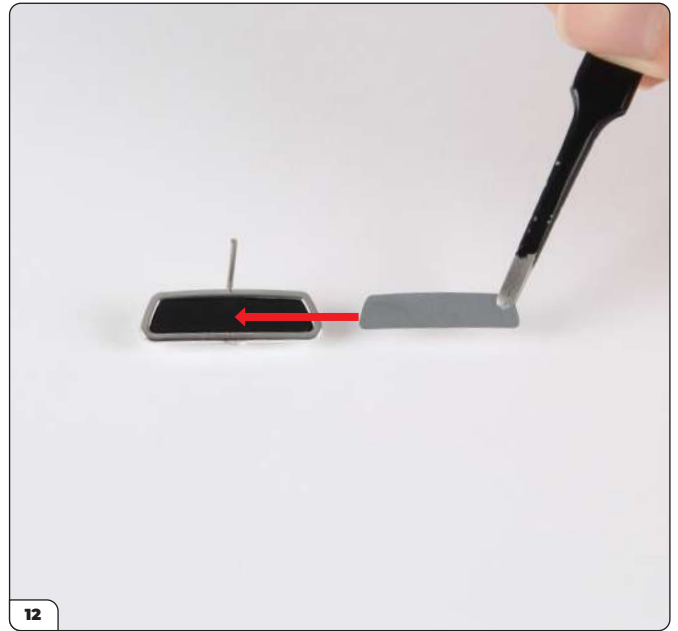


Fit the left sunvisor in the same way.

Stage 080: Fitting the Sunvisors, the Roof Liner Lights and the Rearview Mirror



Remove the rearview mirror sticker (80-G) from the backing paper.



Align the sticker with the rearview mirror (80-C).



Press the sticker in place then carefully remove the protective film.

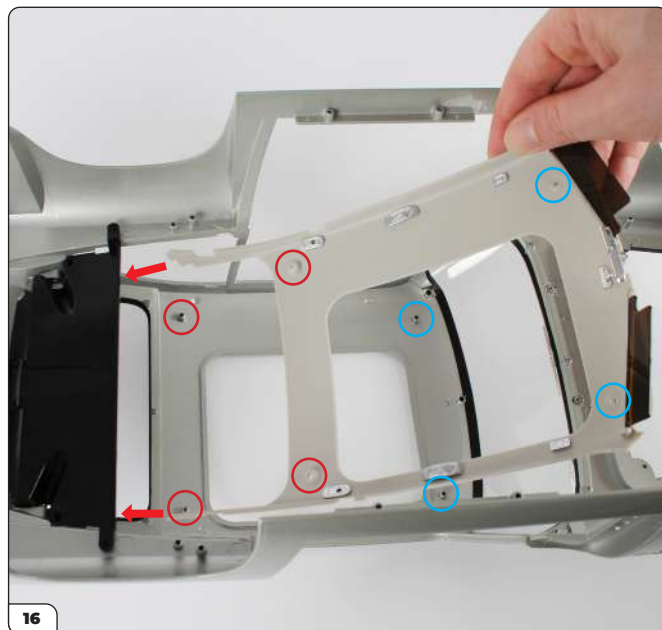


Push the rearview mirror into the hole between the sunvisors.

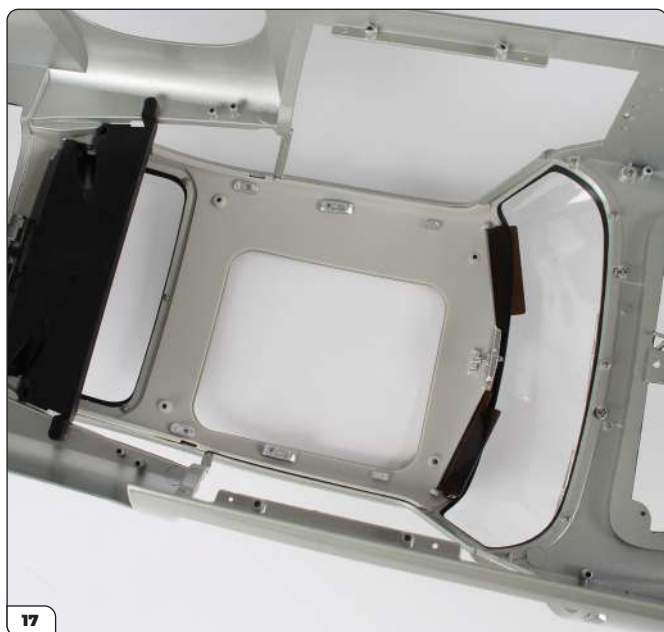
Stage 080: Fitting the Sunvisors, the Roof Liner Lights and the Rearview Mirror



The roof liner should now look like this.



Carefully place the main body assembly upside down on your work surface. Fit the roof liner into the body by placing the ends under the rear deck (arrows) then fitting the screw holes over the posts (circled).

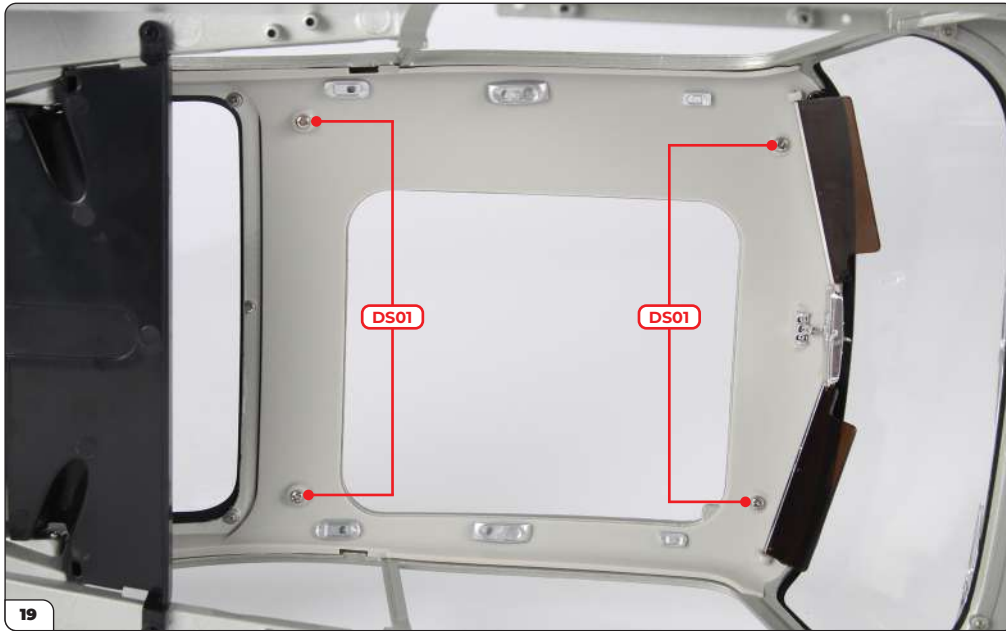


The roof liner should look like this once in place.



Check that the ends of the roof liner are fitted under the rear deck correctly.

Stage 080: Fitting the Sunvisors, the Roof Liner Lights and the Rearview Mirror



Secure with 4x DS01 screws.



Stage 081: Fitting the Rear Right Window and Trim

In this stage you'll fit the rear right window and secure it in place with the trim.



STAGE 081 PARTS LIST

Name
81-A (V1) Rear right window
81-A (V2) Rear right window (with bullet impacts)
81-B Rear right window trim



Stage 081: Fitting the Rear Right Window and Trim



Choose which of the two rear right windows (81-A) you want to use.

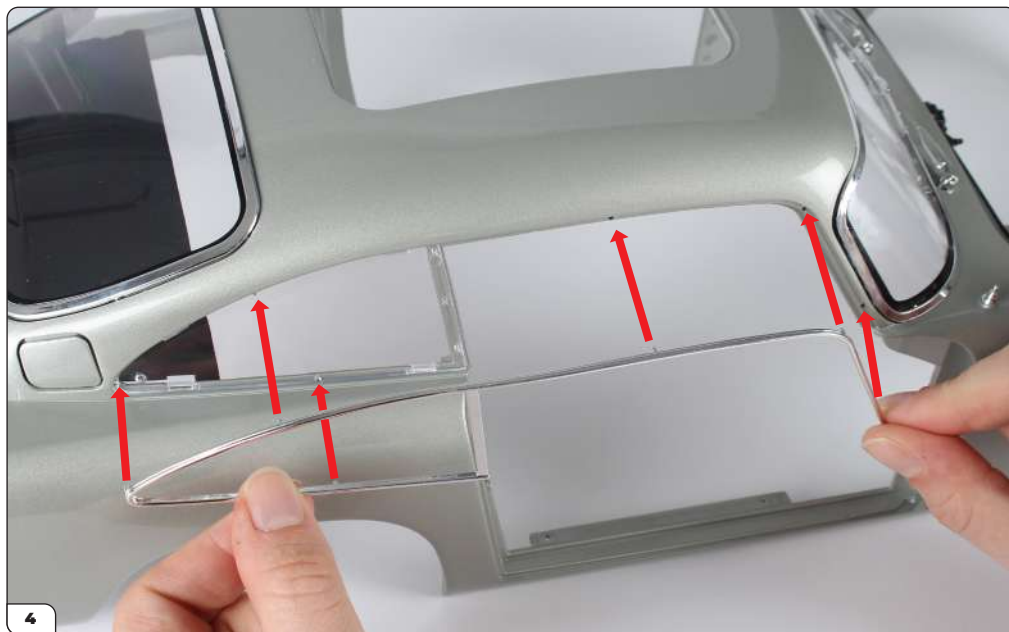


Position the two tabs along the upper edge of the window into the recesses on the right-hand side of the main body.



Then press the two tabs along the bottom edge firmly until the window is held in place.

Stage 081: Fitting the Rear Right Window and Trim



Take the rear right window trim (81-B) and align it as shown. Apply some PVA glue to the pins (image 4a) to help hold the trim in place.



Press the trim firmly in place. If necessary, apply a drop of PVA glue to the corner of the trim (arrow).

Stage 081: Fitting the Rear Right Window and Trim

STAGE COMPLETE



Stage 082: Fitting the Rear Left Window and Trim

Next you'll fit the rear left window and trim in the same way.



STAGE 082 PARTS LIST

Name
82-A (V1) Rear left window
82-A (V2) Rear left window (with bullet impacts)
82-B Rear left window trim



Stage 082: Fitting the Rear Left Window and Trim



Choose which of the two rear left windows (82-A) you want to use.



Position the two tabs along the upper edge of the window into the recesses on the left-hand side of the main body.



Then press the two tabs along the bottom edge firmly until the window is held in place.

Stage 082: Fitting the Rear Left Window and Trim



Take the rear left window trim (82-B) and align it as shown. Apply some PVA glue to the pins (image 4a) to help hold the trim in place.



Press the trim firmly in place. If necessary, apply a drop of PVA glue to the corner of the trim (arrow).

Stage 082: Fitting the Rear Left Window and Trim

STAGE COMPLETE



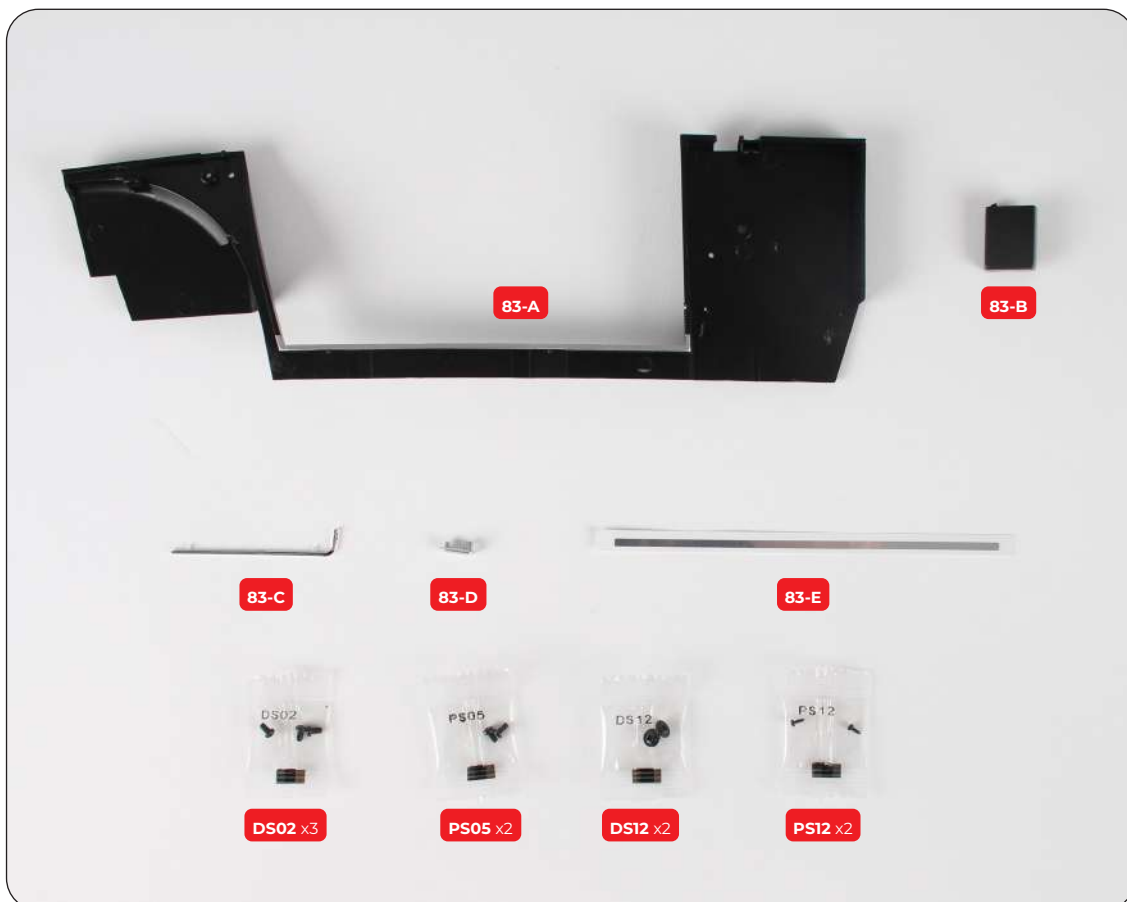
Stage 083: Attaching the Right Inside Body Panel

In this stage you'll mount the right door then assemble and attach the right inside body panel.



STAGE 083 PARTS LIST

Name
83-A Right inside body panel
83-B Air vent control
83-C Right inside body panel trim
83-D Ashtray
83-E Door sill trim sticker
DS02 screws x3
PS05 screws x2
DS12 screws x2
PS12 screws x2



Stage 083: Attaching the Right Inside Body Panel



MOUNTING THE RIGHT DOOR

Retrieve the right door (stage 007). Lubricate and pre-tap a DS12 screw into the mount. If the screw is difficult to tighten, remove any excess paint. Unscrew the screw after pre-tapping.



Push the mount into the three holes on the right-hand side of the body.

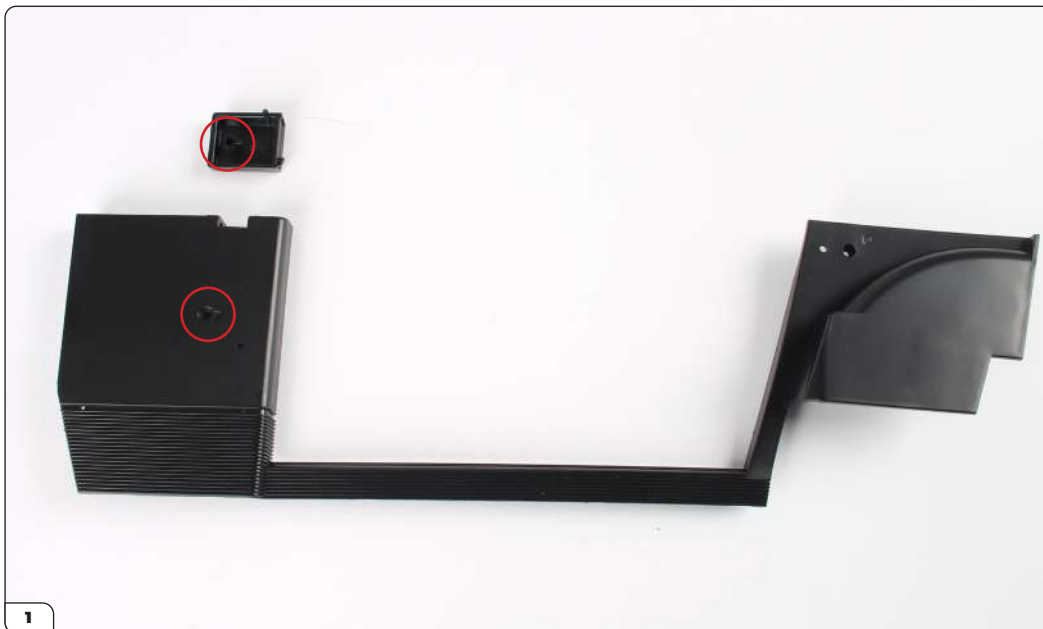


With the mount in place, push the door until it is closed and aligned with the body.

Stage 083: Attaching the Right Inside Body Panel



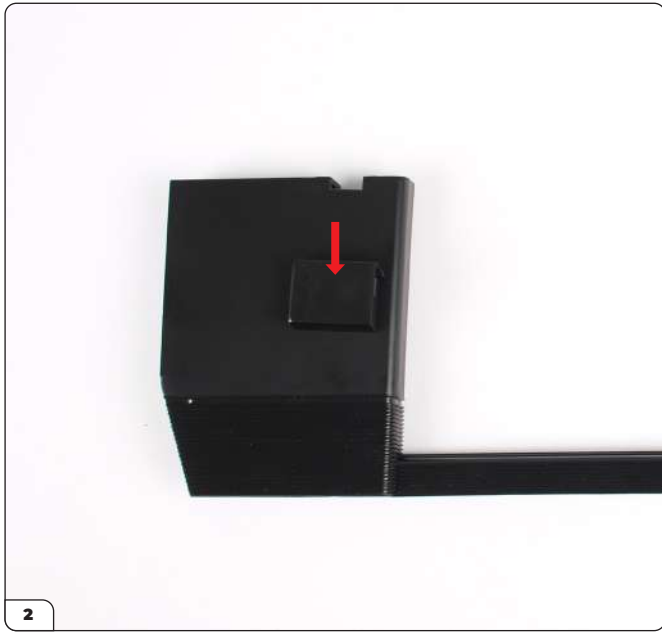
Secure the door using the DS12 screw. Check the door opens smoothly - if the door wobbles make sure the screw holding the mount is tight.



ATTACHING THE RIGHT INSIDE BODY PANEL

Take the right inside body panel (83-A) and the air vent control (83-B). The panel has a shaped hole that matches the fitting on the control (circled).

Stage 083: Attaching the Right Inside Body Panel



Press the air vent control in place.



Secure from the other side with a PS05 screw.



Align the ashtray (83-D) with the panel then push it into place.



Stage 083: Attaching the Right Inside Body Panel



Secure from the other side with a PS12 screw.

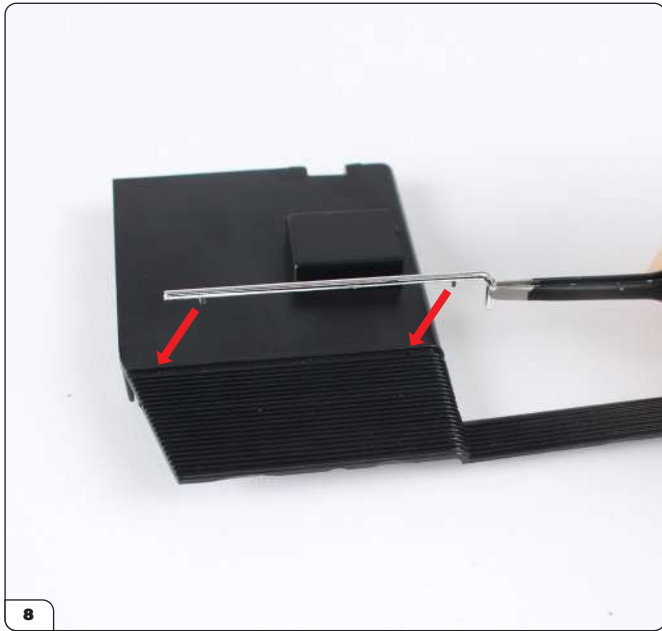


Remove the door sill trim sticker (83-E) from the backing paper and stick it in place as shown.



The door sill sticker should look like this once in place.

Stage 083: Attaching the Right Inside Body Panel



Align the body panel trim (83-C) with the assembly as shown.



Press the trim in place.



Carefully place the main assembly upside down on your work surface. Align the panel with the main assembly as shown, then position the panel over the screw posts.

Stage 083: Attaching the Right Inside Body Panel



Push the panel underneath the door sill. There are two pins on the panel which fit into the holes on the door sill (circled).



This is how the door sill should look with the panel in place. You may find it easier to push the panel with the door open.



Secure the panel with 2x DS02 screws.

Stage 083: Attaching the Right Inside Body Panel

STAGE COMPLETE



Stage 084: Attaching the Left Inside Body Panel

In the last stage of this pack you'll fit the left door and inside body panel in the same way as before.



STAGE 084 PARTS LIST

Name
84-A Left inside body panel
84-B Air vent control
84-C Left inside body panel trim
84-D Ashtray
84-E Door sill trim sticker
DS02 screws x3
PS05 screws x2
DS12 screws x2
PS12 screws x2



Stage 084: Attaching the Left Inside Body Panel



MOUNTING THE LEFT DOOR

Retrieve the left door (stage 072). Lubricate and pre-tap a DS12 screw into the mount. If the screw is difficult to tighten, remove any excess paint. Unscrew the screw after pre-tapping.

Push the mount into the three holes on the left-hand side of the body.

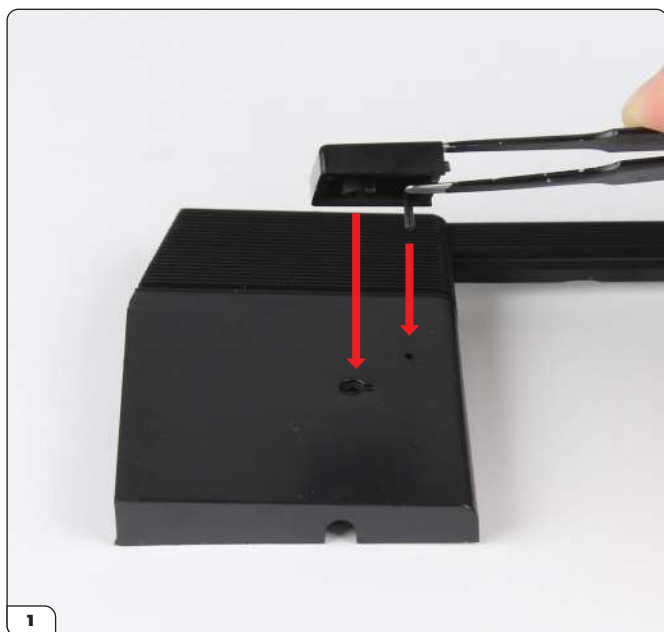


Push the door into place and close it as shown.

Stage 084: Attaching the Left Inside Body Panel



Secure the door using the DS12 screw. Make sure to tighten the screw fully.



ATTACHING THE LEFT INSIDE BODY PANEL
Take the left inside body panel (84-A) and the air vent control (84-B). Align the control with the panel as shown.



Press the control in place.

Stage 084: Attaching the Left Inside Body Panel



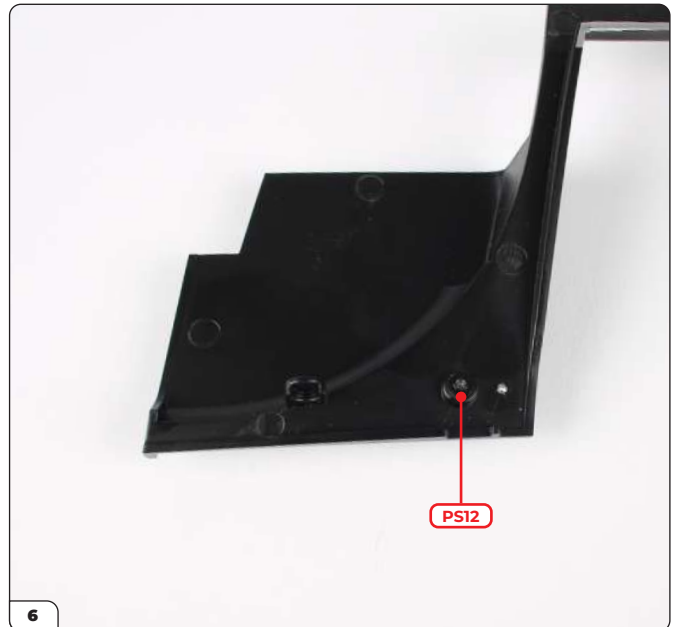
Secure from the other side with a PS05 screw.



Align the ashtray (84-D) with the panel.



Push into place.



Secure from the other side with a PS12 screw.

Stage 084: Attaching the Left Inside Body Panel



Remove the door sill trim sticker (84-E) from the backing paper and stick it in place as shown.

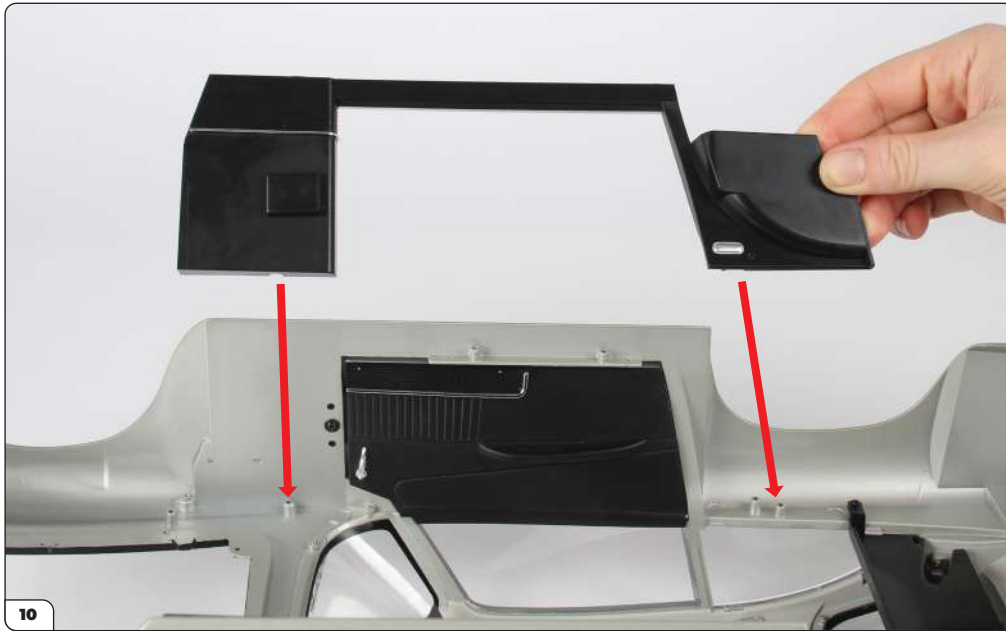


Align the body panel trim (84-C) with the assembly as shown.



Press the trim in place.

Stage 084: Attaching the Left Inside Body Panel

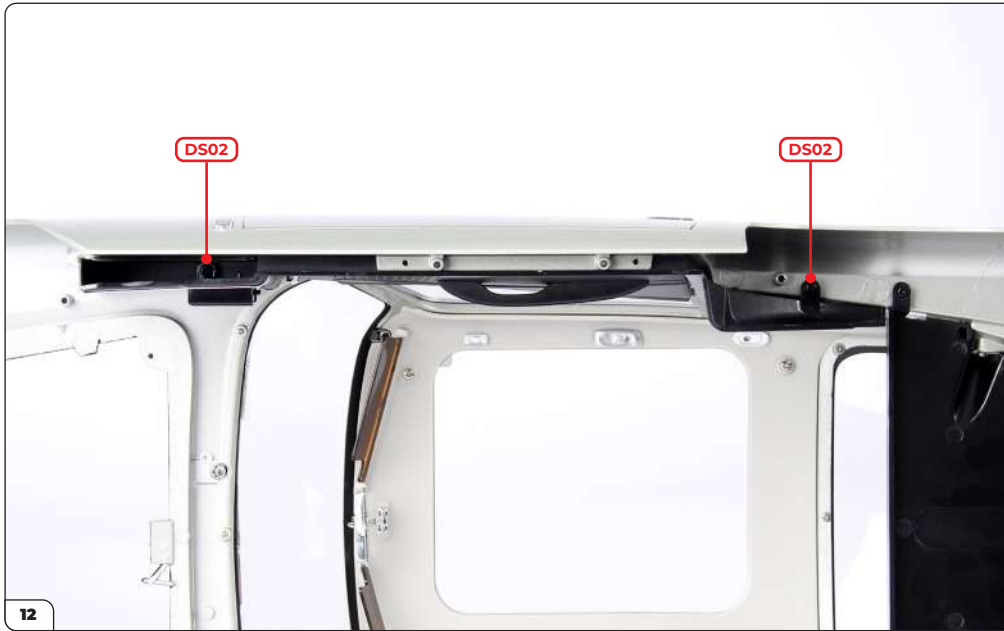


Carefully place the main assembly upside down on your work surface. Align the panel with the main assembly as shown, then position the panel over the screw posts.



Push the panel underneath the door sill. There are two pins on the panel which fit into the holes on the door sill (circled).

Stage 084: Attaching the Left Inside Body Panel



Secure the panel with 2x DS02 screws.



Once the doors and inside panels have been fitted correctly, remove the clear protective tape from both the left and right door sill stickers.

Stage 084: Attaching the Left Inside Body Panel

STAGE COMPLETE

